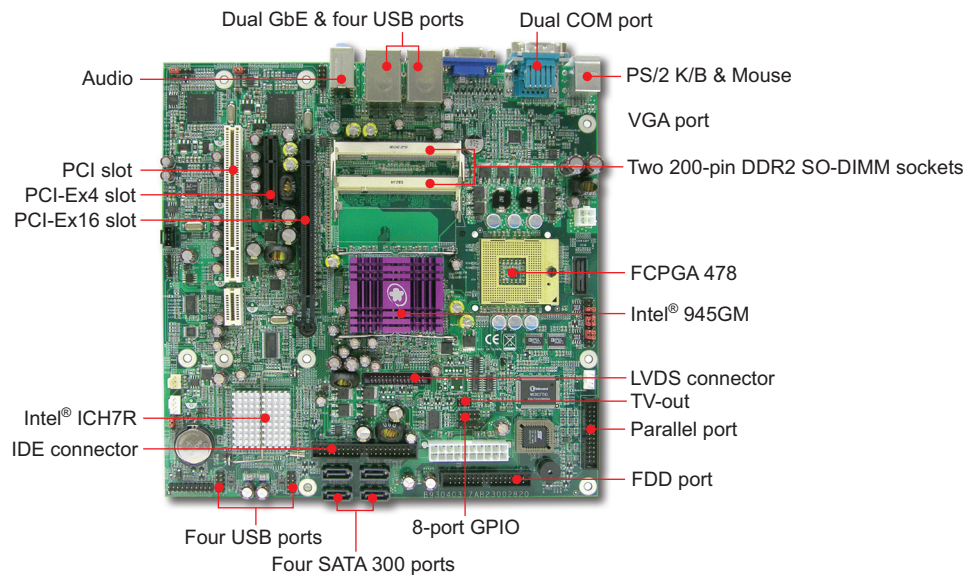


# RUBY-9713VG2AR

Intel® Core™ Duo/Core Solo processor based uATX Industrial Mainboard with DDR2 SO-DIMM, VGA, Dual Gigabit Ethernet, Audio and USB



## FEATURES

- Industrial mainboard in uATX form factor that supports all Intel® Core™ Duo/Core Solo processor for MoDT (Mobile on Desktop) application
- One 32-bit PCI expansion slot or support up to four PCI slots by riser card
- One PCI-Express x4 slot or support up to four PCI Express x1 slot by riser card
- Support GPIO, TV-Out and LVDS on board
- Adopts Intel Matrix Storage Technology to support RAID 0/1/5/10
- Dual Gigabit Ethernet ports that based on PCI Express x1 interface without sharing bandwidth of PCI expansion bus
- Optional function: TPM (Trusted Platform Module) 1.2, AMT (Active Management Technology) 1.0

## ORDERING GUIDE

<b>Standard</b>	<b>RUBY-9713VG2AR</b> Intel® Core™ Duo/Core Solo processor based uATX, Industrial Mainboard with DDR2 SODIMM, VGA, Dual Gigabit Ethernet, Audio and USB
<b>Optional</b>	<b>PEP-541L</b> PCI-E x4 to PCI-E x4 riser card <b>PEP-544L</b> PCI-E x4 to four PCI-E x1 riser card <b>PEP-554L</b> PCI to four PCI slots riser card <b>PEP-553L</b> PCI to three PCI slots riser card <b>B9970540</b> Pentium® M 1U Active Heat Sink

## GENERAL

Processor	CPU & Package: Intel® Core™ Duo / Core Solo processor FSB: 667/533MHz
Chipset/Core Logic	Intel® 945GM and ICH7R
System Memory	Up to 4GB DDR2 667/533 SDRAM on two 200pin SODIMM sockets
BIOS	Award BIOS
Storage Devices	EIDE: Support two EIDE devices with Ultra DMA 100/66/33 SATA: Support four SATA 300 drives RAID: RAID 0/1/5/10
Solid State Disk	N/A
Watchdog Timer	Programmable via software from 1 sec. to 254.5 min.
Expansion Interface	- One 32-bit PCI expansion slot or support up to four PCI slots by riser card - ONE PCI-Express x4 slot or support up to four PCI Express x1 slot by riser card - One PCI-Express x16 slot
Hardware Monitoring	System monitor (fan, temperature, voltage)
Power Requirement	Standby +5@1.7A; +12V(CPU)@3A, +12V(System)@1A, +5V(System)@2.5A, +3.3V(System)@1.5A
Dimension	Dimension : 243.8(L) x 243.8(W) mm; 9.6"(L) x 9.6" (W) PCB: 6-layer
Environment	Operating Temperature: 0 to 55°C Storage Temperature: -20 to 80°C Relative Humidity: 5% to 90%, non-condensing
MTBF	86,705 hrs

## I/O

MIO	Two serial (RS232 x1, selectable RS232/422/485 x1) One parallel, one FDD channel, eight GPIO
IrDA	IrDA 1.0
Ethernet	- Dual 10BASE-T/100BASE-TX/1000BASE-T Ethernet - PCI Express x1 interface based Gigabit Ethernet - Dual RJ-45 connectors with two LED indicators at rear I/O panel
Audio	AC'97 2.2 Audio
USB	Eight USB 2.0 ports (Four ports at rear I/O panel; four ports internal)
Keyboard & Mouse	Dual 6-pin mini-DIN connector at rear I/O panel for PS/2 keyboard/mouse

## DISPLAY

Graphic Controller	GMCH integrated Intel® Graphics Media Accelerator 950 (Intel® GMA 950)
Graphic Memory	Dynamic share system memory up to 224MB (Intel DVMT 3.0) or static share system memory up to 128MB
Display Interface	Display resolution up to 2048x1536; TV-Out, LVDS