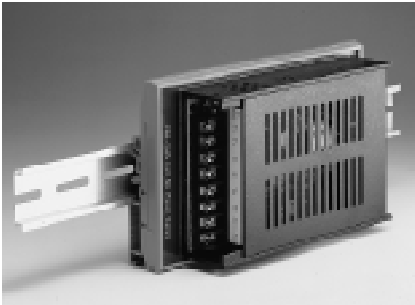


Power Supplies

PWR-242 DIN-rail Power Supply
PWR-243 Panel Power Supply
PWR-244 DIN-rail Power Supply



PWR-242 Switching Power Supply for DIN-rail Mounting

Input

- **Input voltage:** 90 ~ 264 V_{AC} wide input range
- **Input frequency:** 47 ~ 63 Hz
- **Input current:** 1.2 A max.
- **Short protection**

Output

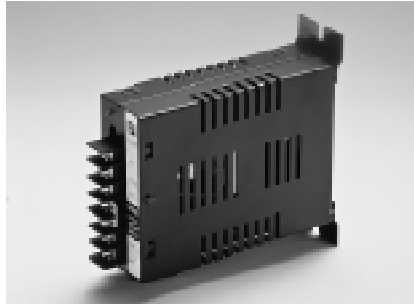
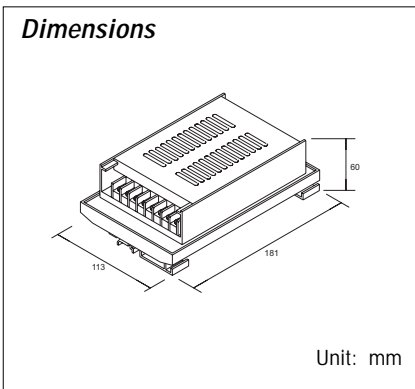
- **Output voltage:** +24 V_{DC} ±10%
- **Output current:** 2.1 A max.
- **Overload protection**

General

- **Dimensions:** 181 mm (L) x 113 mm (W) x 60 mm (H) (7.01" x 4.43" x 2.35")
- **Operating temperature:** 0 ~ 50° C (32 ~ 122° F)

Ordering Information

- PWR-242:** Switching Power Supply for DIN-rail Mounting



PWR-243 Switching Power Supply for Panel Mounting

Input

- **Input voltage:** 85 ~ 132 V_{AC} or 170 ~ 264 V_{AC}, switchable
- **Input frequency:** 47 ~ 63 Hz
- **Input current:** 1.4 A max.
- **Short protection**

Output

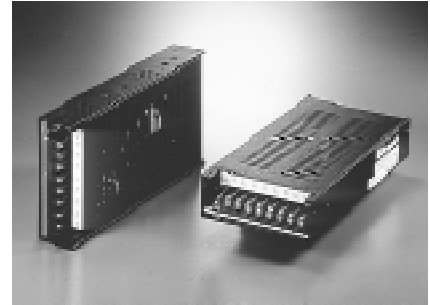
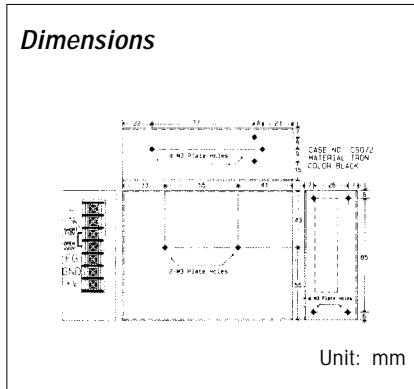
- **Output voltage:** +24 V_{DC} ±10%
- **Output current:** 3 A max.
- **Overload protection**

General

- **Dimensions:** 128 mm (L) x 97 mm (W) x 40 mm (H) (5" x 3.8" x 1.6")
- **Operating temperature:** 0 ~ 50° C (32 ~ 122° F)

Ordering Information

- PWR-243:** Switching Power Supply for Panel Mounting



PWR-244 Switching Power Supply for Panel Mounting

Input

- **Input voltage:** 100-240 V_{AC}
- **Input frequency:** 47 ~ 63 Hz
- **Inrush current (cold):** 25 A/110 V_{AC}
50 A/220 V_{AC}
- **Short protection**

Output

- **Output voltage:** +24 V_{DC} ±10%
- **Output current:** 4.2 A max.
- **Overload protection**

General

- **Dimensions:** 198 mm (L) x 99 mm (W) x 35 mm (H) (7.80" x 3.90" x 1.38")
- **Operating temperature:** 0 ~ 50° C (32 ~ 122° F)

Ordering Information

- PWR-242:** Switching Power Supply for DIN-rail Mounting
- PWR-243:** Switching Power Supply for Panel Mounting
- PWR-244:** Switching Power Supply for Panel Mounting

