

# POC-S155

## Slim Point-of-Care Terminal with 15" TFT LCD



### Features

- Point-of-Care terminal for eHealthcare/medical applications
- 15" LCD display
- Low audible noise
- Spill and dust resistant (IPX1)
- UL60601-1/EN60601-1, CE & FCC Class B certified
- 802.11b/g WLAN module and touchscreen (optional)
- 4100 mAh Li-battery pack (optional)

### Introduction

The POC-S155 is a medical multimedia Panel Computer that is UL60601-1/EN60601-1 approved. The low audible noise of the POC-S155 makes it an ideal point-of-care solution for patients and hospital practitioners. The POC-S155 is specially designed to resist spills and water damage, and ensures dust resistance with its protected LCD, sealed ports and card slots. The 400:1 contrast ratio of POC-S155 makes it a perfect image terminal for PACS and DICOM applications.

### Specifications

#### General

- **Dimension (W x H x D)** 417.5 x 342.3 x 83.5 mm (16.43" x 13.47" x 3.28")
- **Weight (with battery)** 6.0 kg (13.2 lb)
- **Power supply** Input: 10.8 ~ 26.4 V DC, 1.5 A max.  
@ 24 V DC. (w/o battery)

#### AC adapter

- **Universal AC/DC Adapter (SINPRO Model No. MPU50-108)**
- **Input Voltage** 100 ~ 240 V AC, 47 ~ 63 Hz, 1.35 A max.
- **Output Voltage** 24 V DC, 2.08 A max. (50 watt)
- **Whole System** IPX1 compliant

#### Standard PC Functions

- **CPU** Intel® Pentium® M/Celeron® M processor
- **Memory** 2 x 184-pin DIMM sockets, accepting DDR200/266/333 DRAM modules for up to 2 GB SDRAM
- **System Chipset** 855GME GMCH, ICH4 Chipset with 400 MHz FSB
- **HDD** 1 x 2.5" IDE HDD
- **CompactFlash** 1 x Type I/II x 1
- **I/O Ports & Speakers** 1 x RS-232 and 1 x RS-232/422/485 serial port; 2 x USB ports, 1 x PS/2 mouse and K/B; 2 x 1 W speakers; 1 x MIC-in, Speaker-out
- **Network (LAN)** 1 x 10/100Base-T Ethernet interface (RJ-45)
- **Bus Expansion** 1 x Mini PCI slot, accepting Type IIIA Mini PCI card
- **Optional Item** 802.11b/g wireless antenna with Mini PCI WLAN module.  
4100 mAh Li-ion battery pack.

#### Display Specifications

- **Display Type** 15" TFT color LCD
- **Resolution** 1024 x 768
- **Colors** 262,144 (6 bits/color)
- **Dot Size (mm)** 0.297 x 0.297
- **Viewing Angle** 120°
- **Luminance** 350 cd/m<sup>2</sup>
- **Contrast Ratio** 400 : 1
- **LCD MTBF** 50,000 hours
- **Backlight Lifetime** 50,000 hours at 6.5 mA

#### Environmental Specifications

- **Temperature** 0 ~ 40° C
- **Relative Humidity** 10 ~ 95% @ 40° C (non-condensing)
- **Shock** 20 G peak acceleration (11 ms duration)
- **Power MTBF** 100,000 hours
- **Certification** CE, FCC, UL60601-1 and EN60601-1 approved

**Touchscreen**

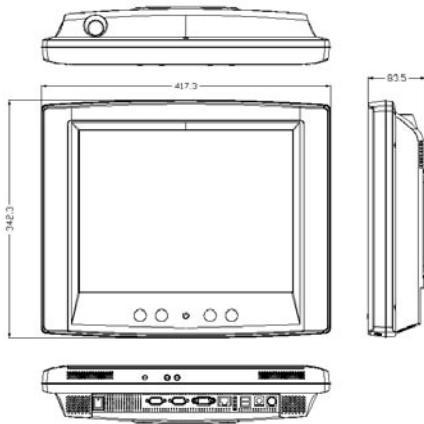
- **Type** Analog Resistive
- **Resolution** Continuous
- **Light Transmission** 75%
- **Controller** RS-232 interface (uses COM4)
- **Durability** 30 million touches

**Li-ion Battery**

- **Cell Type** Samsung ICR 18650-22 (Total 6 cells, 3S2P)
- **Typical Capacity** 4100 mAh
- **Nominal Voltage** 11.1 V DC
- **Supply Current** 6 A (max.)
- **Weight** 290 g
- **Cycle Life** 500 cycles rated charge and rated discharge

**Dimensions**

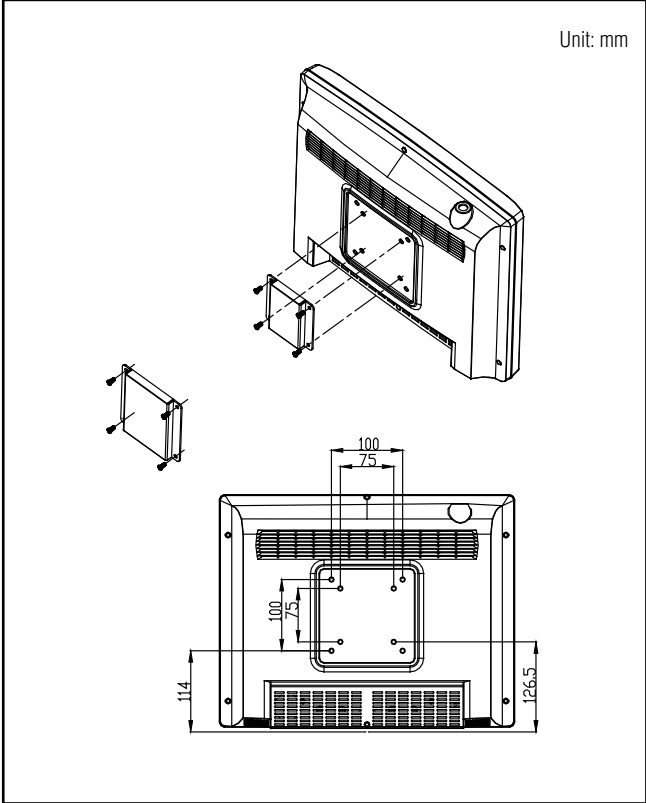
Unit: mm



**Mounting**

- **VESA** 75 x 75 mm, 100 x 100 mm

Unit: mm



**Ordering Information**

Part No.	Description
POC-S155-060-BE	POC-S155 bare with Celeron M 600 MHz (512K L2)
POC-S155-060-BTE	POC-S155 bare with Celeron M 600 MHz (512K L2)/ Resistive TS
POC-S155-100-BE	POC-S155 bare with Celeron M 1.0 GHz
POC-S155-100-BTE	POC-S155 bare with Celeron M 1.0 GHz/Resistive TS
POC-S155-110-BE	POC-S155 bare with Pentium M 1.1 GHz
POC-S155-110-BTE	POC-S155 bare with Pentium M 1.1 GHz/Resistive TS
POC-S155-140-BE	POC-S155 bare with Pentium M 1.4 GHz
POC-S155-140-BTE	POC-S155 bare with Pentium M 1.4 GHz/Resistive TS
176000023	4100mAh Li-ion battery pack