

# POC-195

## Point-of-Care Terminal with 19" TFT LCD

NEW



### Features

- Point-of-Care terminal for eHealthcare/medical applications
- 19" LCD display
- Spill and dust resistant (IPX1)
- UL60601-1/EN60601-1, CE & FCC Class B certified
- 802.11b/g WLAN module and touchscreen (optional)
- Alarm light and trim knob (optional)

### Introduction

The POC-195 is a medical multimedia Panel Computer that is UL60601-1/EN60601-1 approved. The low-current-leakage power supply of POC-195 makes it an ideal and safe point-of-care solution for patients and hospital practitioners. The POC-195 is specially designed to resist spills and water damage, and ensures dust resistance with its protected LCD, sealed ports and card slots. The high contrast ratio (1300:1) of POC-195 makes it a perfect image terminal for PACS and DICOM applications. The POC-195 also has a book light, touchscreen on/off button and optional features like an alarm light and trim knob for more user friendliness.

### Specifications

#### General

- **Dimension (W x H x D)** 471.5 x 416.2 x 123.6 mm (18.86" x 16.64" x 4.94")
- **Weight** 12 kg (26.5 lb)
- **Power Supply** AC model: Internal ATX power supply  
Input voltage: 100 ~ 250 V<sub>AC</sub>, 4/2 A max. @ 50 ~ 60 Hz  
Output voltages: +5 V @ 12 A, +12 V @ 12 A,  
+3.3 V @ 16.8 A, +5 Vsb @ 2.0 A, -12 V @ 0.8 A  
(180 watt)
- **Fan Dimensions (L x W x H)** 50 x 50 x 15 mm (1.97" x 1.97" x 0.59")
- **Whole System** IPX1 compliant

#### Standard PC Function

- **CPU** Intel® Pentium® M processor (Socket 479)  
up to 2.0 GHz
- **Memory** DDR2 400/533 Unbuffered non-ECC x 2 (max. 2 GB)
- **System Chipset** 915GM GMCH/ ICH6 Chipset, 400/533 MHz FSB
- **HDD** One 2.5" IDE/SATA HDD
- **CD-ROM** Compact CD-ROM (Optional: COMBO / DVD+-RW)
- **I/O Ports & Speakers** RS-232 x 2, RS-232/422/485 x 1, parallel port x 1,  
USB 2.0 port x 6, IEEE1394a port x 3, PS/2 mouse  
and keyboard interface, MIC-in, Line-in,  
Speaker-out, 1 W speakers x 2, D-sub VGA port x 1
- **Network (LAN)** Gigabit Ethernet interface (RJ-45) x 2
- **Bus Expansion** PCI 2.2 expansion slot x 1,  
Mini PCI slot x 1 for Type IIIA Mini PCI cards
- **Optional Item** 802.11b/g wireless antenna with WLAN Mini PCI  
module

#### General Specifications of Display

- **Display Type** 19" TFT color LCD
- **Resolution** 1280 x 1024
- **Colors** 16.7 M (RGB 8 bits/color)
- **Dot Size (mm)** 0.294 (per triad) x 0.294
- **Viewing Angle** 178°/178°
- **Luminance** 300 cd/m<sup>2</sup>
- **Contrast Ratio** 1300 :1
- **LCD MTBF** 50,000 hours
- **Backlight Lifetime** 50,000 hours

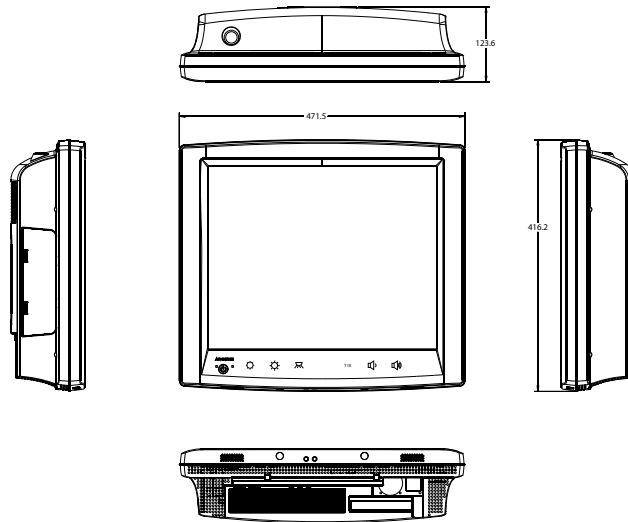
#### Environmental Specifications

- **Temperature** 0 ~ 40° C (32 ~ 104° F)
- **Relative Humidity** 10 ~ 95% @ 40° C (non-condensing)
- **Shock** 20 G peak acceleration (11 ms duration)
- **Power MTBF** 100,000 hours
- **Certification** CE, FCC, UL60601-1 and EN60601-1 approved

#### Touchscreen Specifications

- **Type** Analog Resistive
- **Resolution** Continuous
- **Light Transmission** 75%
- **Controller** RS-232 interface (use COM4)
- **Durability** 30 million touches

## Dimensions

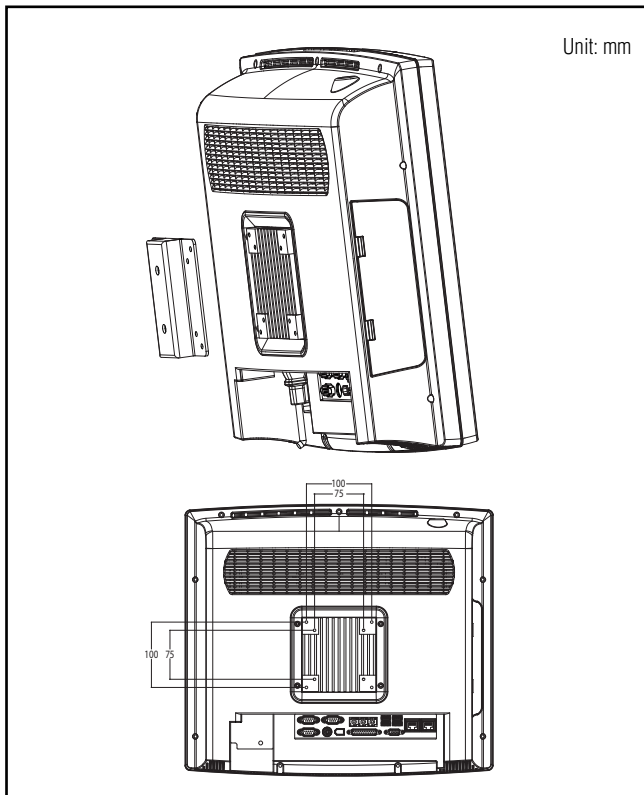


Unit: mm

## Mounting

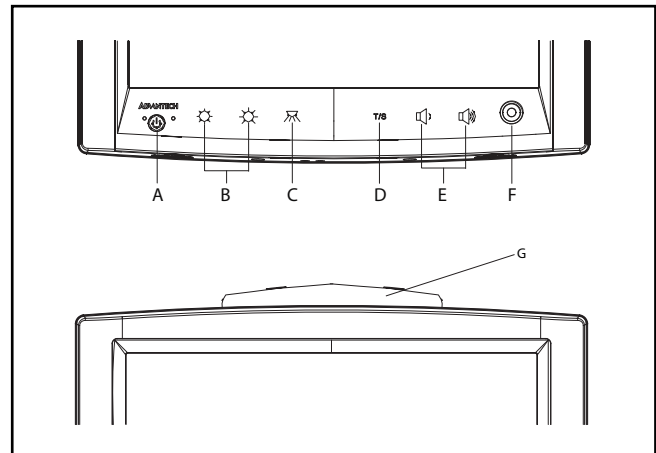
- VESA

75 × 75 mm; 100 × 100 mm



Unit: mm

## Function Keys



- A. Power Button
- B. Brightness Control Button
- C. Book Light
- D. Touchscreen
- E. Audio Control Button
- F. Trim Knob (optional)
- G. Alarm Light (optional)

## Ordering Information

Part No.	Description
POC-195CD-AC-AE	POC-195 Bare with CDROM / AC input
POC-195CD-AC-ATE	POC-195 Bare with CDROM / AC input /Res.TS
POC-195-CB-AC-AE	POC-195 Bare with COMBO / AC input
POC-195-CB-AC-ATE	POC-195 Bare with COMBO / AC input /Res.TS