

POC-175

Point-of-Care Terminal with 17" TFT LCD



Features

- Point-of-Care terminal for eHealthcare/medical applications
- 17" LCD display
- Spill and dust resistant (IPX1)
- UL60601-1/EN60601-1, CE & FCC Class B certified
- 802.11b/g WLAN module and touchscreen (optional)

Introduction

The POC-175 is a medical multimedia Panel Computer that is UL60601-1/EN60601-1 approved. The low-current-leakage power supply of POC-175 makes it an ideal and safe point-of-care solution for patients and hospital practitioners. The POC-175 is specially designed to resist spills and water damage, and ensures dust resistance with its protected LCD, sealed ports and card slots. The high brightness (300 cd/m²) and good contrast ratio (500:1) of the POC-175 LCD makes it a perfect image terminal for PACS and DICOM applications.

Specifications

General

- **Dimension (W x H x D)** 437 x 377 x 131 mm (17.20" x 14.84" x 5.15")
- **Weight** 10.5 kg (23.3 lb)
- **Power supply**
 - AC model** Internal ATX power supply
 - Input voltage** 100 ~ 240 V_{AC}, 4/2 A max. @ 50 ~ 60 Hz
 - Output voltages** +5 V @ 12 A, +12 V @ 12 A, +3.3 V @ 16.8 A, +5 Vsb @ 2.0 A, -12 V @ 0.8 A (180 watt)
- **Fan Dimensions (L x W x H)** 50 x 50 x 15 mm (1.97" x 1.97" x 0.59")
- **Whole System** IPX1 compliant

Standard PC Function

- **CPU** Intel® Pentium® M processor (Socket 479) up to 2.0 GHz
- **Memory** DDR2 400/533 Unbuffered Non ECC x 2 (max. 2 GB)
- **System Chipset** 915GM GMCH/ ICH6 Chipset, 400/533 MHz FSB
- **HDD** One 2.5" IDE HDD
- **CD-ROM** Compact CD-ROM (Optional: COMBO/DVD+-RW)
- **I/O Ports & Speakers** RS-232 x 2, RS-232/422/485 x 1, parallel port x 1, USB 2.0 port x 6, IEEE1394a port x 3, PS/2 mouse and keyboard interface x 1, MIC-in, Line-in, Speaker-out, 1 W speakers x 2, D-sub VGA port x 1
- **Network (LAN)** Gigabit Ethernet interface (RJ-45) x 2
- **Bus Expansion** PCI 2.2 expansion slot x 1, Mini PCI slot x 1, for Type IIIA Mini PCI cards
- **Optional Item** 802.11b/g wireless antenna with WLAN Mini PCI module.

General Specifications of Display

- **Display Type** 17" TFT color LCD
- **Resolution** 1280 x 1024
- **Colors** 16.2 M
- **Dot Size (mm)** 0.264 x 0.264
- **Viewing Angle** 140/130°
- **Luminance** 300 cd/m²
- **Contrast Ratio** 500 : 1
- **LCD MTBF** 50,000 hours
- **Backlight Lifetime** 50,000 hours

Environmental Specifications

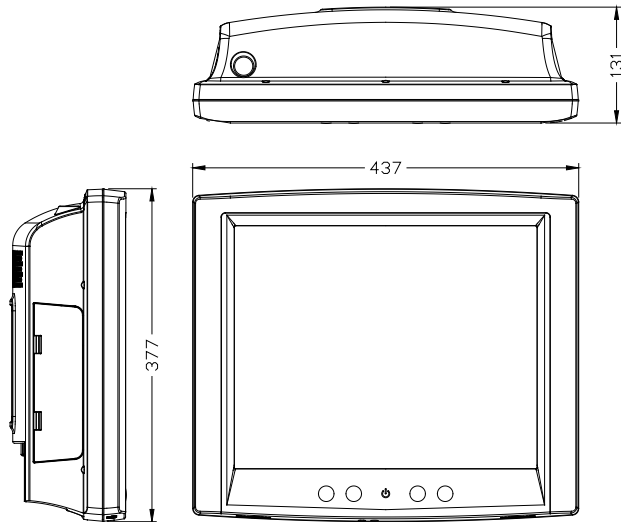
- **Temperature** 0 ~ 40° C
- **Relative Humidity** 10 ~ 95 % @ 40° C (non-condensing)
- **Shock** 30 G peak acceleration (11 ms duration)
- **Power MTBF** 100,000 hours
- **Certification** CE, FCC, UL60601-1 and EN60601-1 approved

Touchscreen Specifications

- **Type** Analog Resistive
- **Resolution** Continuous
- **Light Transmission** 75%
- **Controller** RS-232 interface (use COM4)
- **Durability** 30 million touches

Dimensions

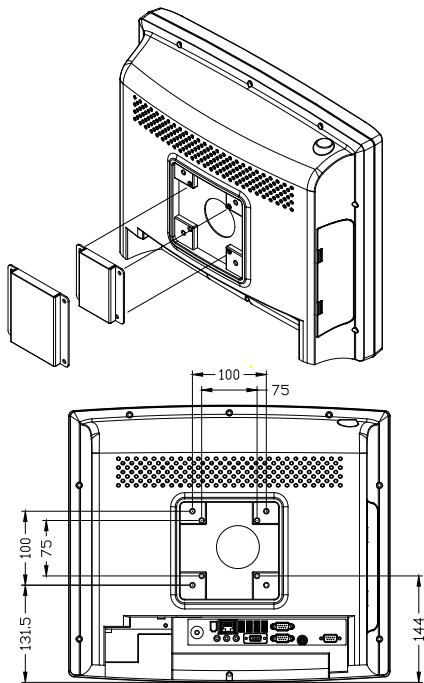
Unit: mm



Mounting

- VESA 75 x 75 mm ; 100 x 100 mm

Unit: mm



Ordering Information

Part No.	Description
POC-175CD-AC-AE	POC-175 Bare with CDROM/AC input
POC-175CD-AC-ATE	POC-175 Bare with CDROM/AC input /Res.TS
POC-175CB-AC-AE	POC-175 Bare with COMBO/AC input
POC-175CB-AC-ATE	POC-175 Bare with COMBO/AC input /Res.TS