

POC-154

Point-of-Care Terminal with 15" TFT LCD



CE FC

Features

- Point-of-Care terminal for eHealthcare/medical applications
- 15" LCD display
- Spill and dust resistant
- UL60601-1/EN60601-1, CE & FCC Class B certified
- 802.11b wireless antenna and touchscreen (optional)

Introduction

The POC-154 is a medical multimedia Panel Computer that is UL60601-1/EN60601-1 approved. The low audible noise of the POC-154 makes it an ideal point-of-care solution for patients and hospital practitioners. The POC-154 is specially designed to resist spills and water damage, and ensures dust resistance with its protected LCD, sealed ports and card slots. The high brightness (350 cd/m²) and good contrast ratio (400:1) of the POC-154 LCD makes it a perfect image terminal for PACS and DICOM applications.

Specifications

General

- **Dimension (W x H x D)** 414 x 339 x 115 mm (16.30" x 13.34" x 4.52")
- **Weight** 6.5 kg (14.4 lb)
- **Power supply** AC model: 180 watt
Input voltage: 100 ~ 240 V_{AC}, 4/2 A max. @ 50 ~ 60 Hz
Output voltages: +5 V @ 12 A, +12 V @ 12 A,
+3.3 V @ 16.8 A, +5 Vsb @ 2.0 A, -12 V @ 0.8 A
DC model: 60 watt
Input voltage: +24 V_{DC}, 7.5 A max
Output voltage: +5 V @ 10 A, +12 V @ 4 A,
-12 V @ 1 A, +3.3 V @ 8 A, +5 Vsb @ 0.75 A
- **Fan Dimensions (L x W x H)** 60 x 60 x 10 mm (2.4" x 2.4" x 0.4")
- **Front Panel** IP65/NEMA 4 compliant

Standard PC Function

- **CPU** Intel® Pentium® 4 Mobile and Celeron® up to 2.2 GHz
- **Memory** 2 x 184-pin DIMM socket accepts up to 2 GB DDR 266 DRAM
- **HDD** 1 x 2.5" IDE HDD
- **FDD** 1.44 MB
- **CD-ROM** Compact CD-ROM (Optional: CD RW/DVD ROM COMBO)
- **PCMCIA** 2 x Type II
- **I/O Ports & Speakers** 4 x Serial ports: 3 x RS-232 x 3, 1 x RS-232/422/485;
1 x Parallel port; 2 x USB ports;
1 x PS/2 mouse and K/B;
1 x Mic-in, Line-in, Speaker-out,
2 x 1 W speakers
- **Network (LAN)** 2 x 10/100Base-T Ethernet interface
- **Bus Expansion** 1 x PCI 2.2 expansion slot
- **Optional** 802.11b wireless antenna with wireless LAN PCMCIA module

General Specifications of Display

- **Display type** 15" TFT color LCD
- **Resolution** 1024 x 768
- **Colors** 262,144 (6 bits/color)
- **Dot Size (mm)** 0.264 x 0.264
- **Viewing Angle** 120°
- **Luminance** 350 cd/m²
- **Contrast Ratio** 400 : 1
- **LCD MTBF** 50,000 hours
- **Backlight Lifetime** 50,000 hours at 6.5 mA

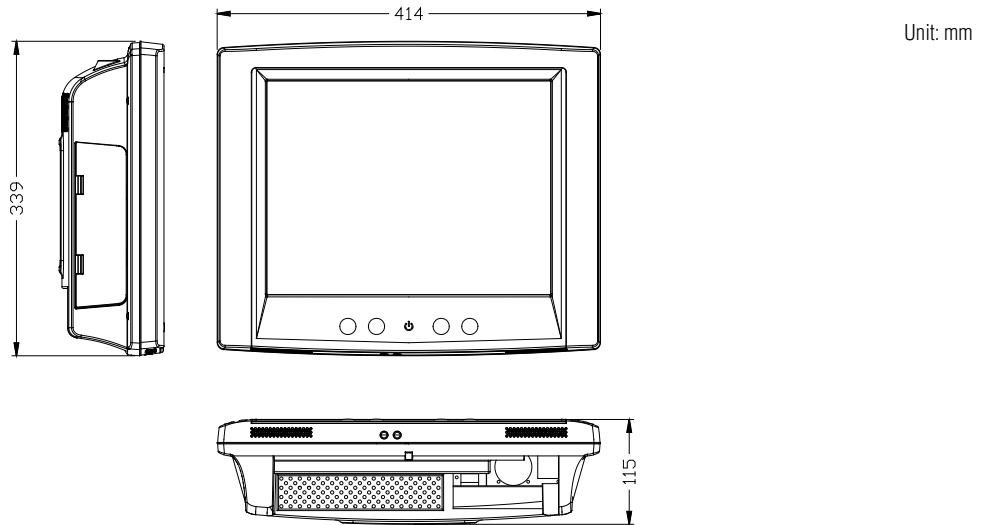
Environmental Specifications

- **Temperature** 0 ~ 40° C
- **Relative Humidity** 10 ~ 95% @ 40° C (non-condensing)
- **Shock** 30 G peak acceleration (11 ms duration)
- **Power MTBF** 100,000 hours
- **Certification** CE, FCC, VCCI, BSMI approved
- **AC Model** UL60950, UL60601-1, EN60950, EN60601-1 approved

Touchscreen

- **Type** Analog Resistive
- **Resolution** Continuous
- **Light Transmission** 75%
- **Controller** RS-232 interface (use COM4)
- **Durability** 30 million touches

Dimensions



Ordering Information

Part No.	Description
POC-154CD-AC-AE	POC-154 Bare with CDROM/AC input
POC-154CD-AC-ATE	POC-154 Bare with CDROM/AC input /Res.TS
POC-154CB-AC-AE	POC-154 Bare with COMBO/AC input
POC-154CB-AC-ATE	POC-154 Bare with COMBO/AC input /Res.TS

Options

- 802.11b wireless antenna with wireless LAN PCMCIA module
- POC-154 with 24 V_{DC} inlet (Production upon order received)

Mounting

- VESA 75 x 75 mm, 100 x 100 mm

