

Features

- Optically isolated inputs and outputs between computer and field devices
- Channel status reflected by on-board LED for easy monitoring
- On-board fuse protection

Board

- Logic side connectors: 50-pin edge connector, Opto-22 compatible
- Dimensions: 367 mm (L) x 111 mm (W) x 56 mm (H) (14.4" x 4.4" x 2.2")

Introduction

The PCLD-7216 is an SSR I/O module carrier board that holds any combination of up to 16 SSR I/O modules. Each channel is equipped with two screw terminals for field connections. The PCLD-7216 can be connected to the PCL-722, PCL-724, or PCL-731 via its Opto-22 compatible 50-pin edge connector.

Specifications

Input Modules

Field side

- Turn on/off time
 - IAC5 series: 20 msec. max.
 - IAC5A series: 20 msec. max.
 - IDC5B series: 100 msec. max.
- Input on/off voltage range:
 - IAC5 series: 90 ~ 140 V/45 V_{RMS}
 - IAC5A series: 180 ~ 280 V/80 V_{RMS}
 - IDC5B series: 3 ~ 32 V/1 V_{DC}
- Input resistance:
 - IAC5 series: 14 k Ω

IAC5A series: 44 k Ω
IDC5B series: 1.5 k Ω

Logic side:

- Supply voltage: 4 ~ 6 V
- Supply current: 12 mA max.
- Output current: 100 mA max.
- Output voltage drop: 0.4 V max.
- Breakdown voltage: 30 V_{DC}

Output Modules

Field side

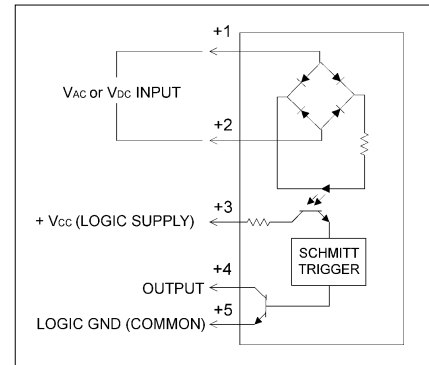
- Turn on/off time
 - OAC series: ½ AC cycle max.
 - ODC series: 100 µsec/750 µsec. max.
- Current rating: 3 A max. (@ 25° C)
- Contact voltage drop: 1.6 V max.

Logic side

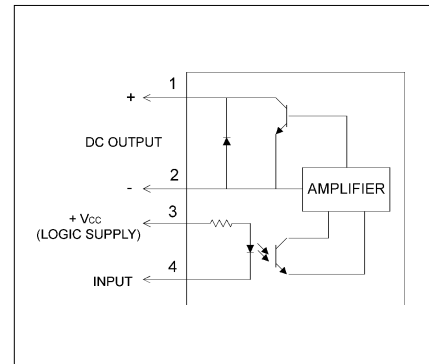
- Supply voltage: 4 ~ 6 V
- Supply current: 12 mA max.
- Input resistance: 220 Ω

Module type		Field side		Logic side
Output module		Output voltage rating	Output current rating	Input logic and SSR status
AC output	PCLM-OAC5A	24 ~ 280 V _{AC}	3.0 A _{AC}	TTL low (On)
		12 ~ 280 V _{AC}		TTL high (Off)
DC output	PCLM-ODC5	5 ~ 60 V _{DC}	3.0 A _{DC}	TTL low (On)
				TTL high (Off)
Input module		Input On voltage	Input Off voltage	Output logic & On/Off status
AC input	PCLM-IAC5	90 ~ 140 V _{AC}	< 45 V _{AC}	TTL low (On)
				TTL high (Off)
	PCLM-IAC5A	180 ~ 280 V _{AC}	< 80 V _{AC}	TTL low (On)
				TTL high (Off)
DC input	PCLM-IDC5B	3 ~ 32 V _{DC}	< 1 V _{DC}	TTL low (On)
				TTL high (Off)

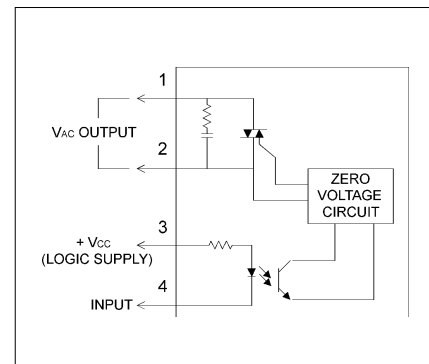
Block Diagrams



AC/DC Input (IAC5/IDC5)



DC Output (ODC5)



AC Output (OAC5)

Ordering Information

□ PCLD-7216:

16-channel SSR I/O Module Carrier Board, one 1.2 meter, 50-pin flat cable (PCL-10151-1.2), one 1 meter 20-pin flat cable (PCL-10120-1) and user's manual