

Features

- Four independent RS-232 serial ports
- Transmission speeds up to 921.6 Kbps
- Independent I/O addresses, independent/shared IRQ settings for each of 4 serial ports
- Wide IRQ selection: 3, 4, 5, 6, 7, 9, 10, 11, 12 or 15
- Supports standard DOS COM1, COM2, COM3, COM4
- Supports DOS/Windows 3.1 (PC-ComLIB), Windows 95/98, Windows NT (ICOM Utility)
- Supports surge protection: 3000 V_{DC} (PCL-849B/849+)
- LED indicators on each port indicate data flow
- On-board interrupt status register for greater throughput
- Complete RS-232 modem-control signals

Introduction

PCL-849 series cards provide four individually configurable RS-232 serial communication ports. The PCL-849A/849B has a 16C554 UART which makes serial I/O more reliable. The higher performance PCL-849+ has a 16C654 UART. By buffering data into 64-byte packets before putting it on the bus, UARTs drastically reduce the CPU load. This makes the PCL-849+ especially suitable for high speed serial I/O applications under multitasking environments.

PCL-849 series cards support two operating modes, standard mode and enhanced mode. In enhanced mode, the address for all four ports can be set automatically. PCL-849 series cards also support either shared IRQ or independent IRQ functions. When an on-board interrupt occurs, the interrupt status register (vector address) indicates which port generated it. The shared interrupt can be set to most common (extended) AT interrupts. This simplifies programming, speeds up interrupt processing and frees up interrupts for other devices.

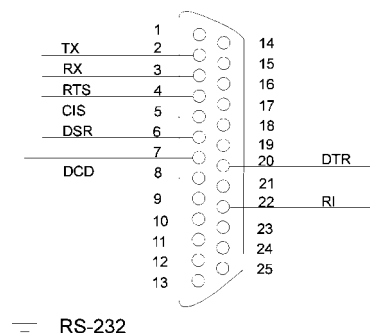
Each card comes with the PC-ComLIB communication software package and Windows 95/98/NT configuration utility. PC-ComLIB supports most common languages, including C, Pascal, Basic, assembly and Clipper. The PC-ComLIB package also includes the DataScope data viewer and terminal emulator with self-diagnostics utilities for easy troubleshooting and debugging.

Specifications

- **Ports:** 4 serial ports
- **I/O address range:** From 200H to 3F8H
- **IRQ:** 3, 4, 5, 6, 7, 9, 10, 11, 12, 15
- **Data bits:** 5, 6, 7, 8
- **Stop bits:** 1, 1.5, 2
- **Parity:** None, even, odd
- **UARTs:** 1 x 16C554 (PCL-849A/849B)
1 x 16C654 (PCL-849+)

- **Speed:** 50 ~ 921.6 Kbps (PCL-849A)
50 ~ 460.8 Kbps (PCL-849B/849+)
- **Cables:** 30-cm male DB-37 to four male DB-25 (DTE)
- **Data signals:** TxD, RxD, RTS, CTS, DTR, DSR, DCD, RI, GND
- **Surge protection:** 3000 V_{DC} (PCL-849B/849+)
- **Power requirements:** +5 V @ 250 mA typical, 500 mA max.
±12 V @ 70 mA typical, 120 mA max.
- **Dimensions:** 185 mm x 100 mm (7.3" x 3.9")
- **Operating temperature:** 0 ~ 60° C (32 ~ 140° F)
- **Storage temperature:** -25 ~ 80° C (-13 ~ 176° F)

Pin Assignments



Ordering Information

- **PCL-849A:** 4-port high-speed RS-232 interface card
- **PCL-849B:** 4-port high-speed RS-232 interface card with surge protection
- **PCL-849+:** 4-port high-speed RS-232 interface card with surge protection & 16C654 UART