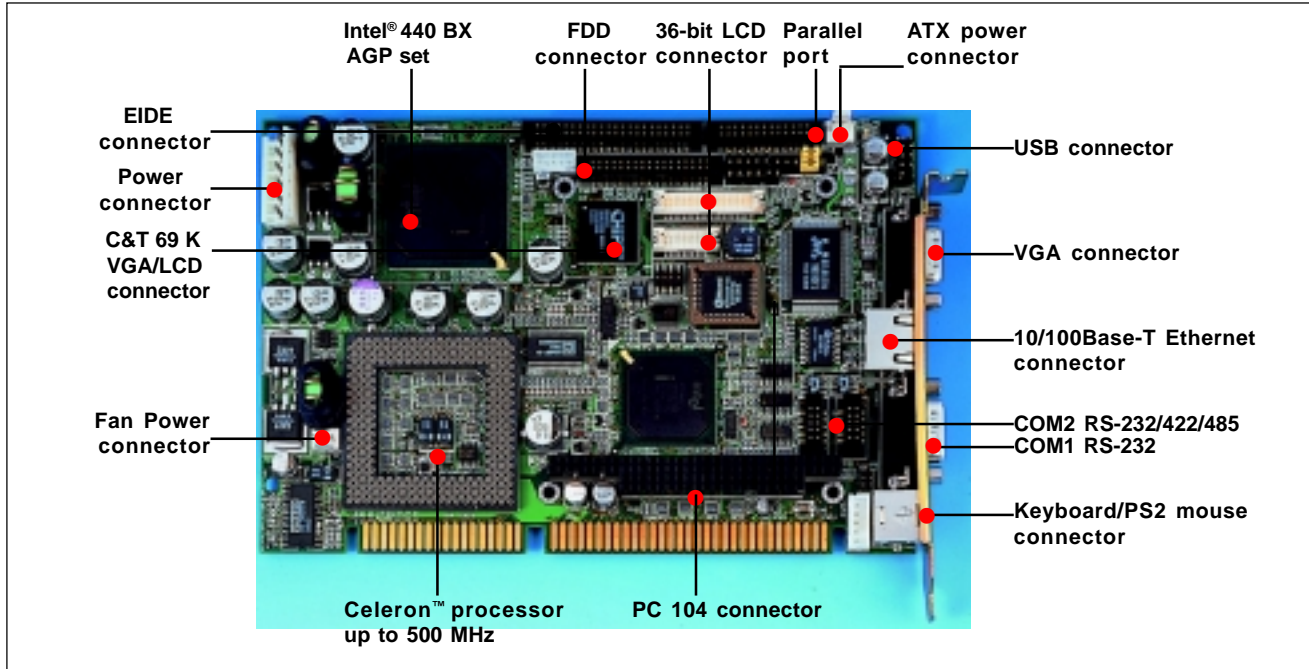


PCA-6770

Socket 370 Celeron™ Half-size Card PC with VGA/LAN/SSD



Introduction

The PCA-6770 series all-in-one industrial grade solution CPU card uses Intel's® highly acclaimed Celeron™ processor, together with the Intel® 440BX PCI chipset.

The CPU provides 128 KB on-CPU L2 cache, eliminating the need for external SRAM chips. It has one PCI EIDE interfaces (for up to two devices) and a floppy disk drive interface (for up to two devices). Other features include two RS-232 serial ports (16C550 UARTs with a 16-byte FIFO or compatible), one enhanced parallel port (supports SPP/EPP/ECP) and two USB (Universal Serial Bus) port. The PCI enhanced IDE controller supports Ultra DMA/33 and PIO Mode 4 operation. This provides data transfer rates for over 33 MB/sec. System BIOS supports boot-up from an IDE CD-ROM and LS-120.

A backup of CMOS data is stored in the Flash memory, which protects data even after a battery failure. Also included is a 62-level watchdog timer, which resets the CPU or generates an interrupt if a program cannot be executed normally. This enables reliable operation in unattended environments.

The PCA-6770 series offers several impressive industrial features such as a VGA (AGP) controller, a 10/100Base-T networking controller, two SODIMM slots for a total of 256 MB RAM memory. In addition, the PCA-6770 series supports a solid state disk (SSD) using CompactFlash that is not vulnerable to the hazards of an industrial computing environment. All these make it an ideal choice for applications that require both high performance and full functionality.

Features

- Supports Socket 370 for Intel® Celeron™ processor
- AGP VGA/LCD and supports 36 bit XGA TFT LCD Panel
- USB interface compliant with USB rev. 1.0
- SIR support
- System overheat temperature control
- 62-levels Watchdog timer, jumperless on-line setup supported
- Supports wake-up on LAN, Modem
- Supports turn off LCD back light function
- PC/104 connector supports face-up installation

Specifications

- **CPU:** Socket 370 for Intel® Celeron™ processor up to 500 MHz
- **BIOS:** 2/4 Mbit Flash BIOS, supports Plug & Play, APM 1.2
Support Ethernet Boot ROM
Support boot from CD-ROM
Support boot from LS-120 ZIP™ Drive
Optional Customer icon
- **Chipset:** Intel® 440BX AGP set, FSB 66/100 MHz
- **2nd level cache:** 128 KB on Celeron™ Processor
- **System memory:** Two SODIMM sockets, support 8 MB to 256 MB, accepts 8/16/32/64/128 MB Synchronous DRAM

PCA-6770

Specifications cont.

- **PCI IDE interface:** One Enhanced IDE interface, supports 2 IDE devices PIO mode 3,4 with bus mastering up to 14 MB/sec. Ultra DMA model up to 33 MB/sec.
- **Floppy disk drive interface:** Supports up to two FDDs (360 KB/1.2 MB/720 KB/1.44 MB/2.88 MB)
- **Parallel port:** One parallel port, supports EPP/ECP
- **IR port:** One 115 kbps IrDA compliant serial infrared
- **Serial ports:** 2 serial ports
COM1: RS-232, COM2: RS-232/422/485
- **Watchdog timer:** 62 levels timer interval, setup by software, jumperless selection, generates system reset or IRQ11

AGP SVGA/Flat Panel Interface

- **Chipset:** C&T 69000, 64-bit graphics engine
- **Flat panel performance:** 36-bit direct interface to mono, STN, DSTN & TFT panels. Advanced power management. Supports 3.3 V or 5 V Flat panel display.
- **Interface:** 1 x AGP, Accelerator graphics ports 1.0 compliant
- **Display mode:**
 - Flat panel: up to 800 x 600 @ 24 bpp
 - 1024 x 768 @ 16 bpp
 - 1280 x 1024 @ 8 bpp
 - CRT display: up to 800 x 600 @ 24 bpp
 - 1080 x 768 @ 16 bpp
 - 1280 x 1024 @ 8 bpp
- **Display memory:**
 - 2 MB of SDRAM on C & T 69000

Ethernet Interface

- RealTek™ RTL 8139 chip
PCI Ethernet controller, IEEE 802.3 protocol compatible
Supports 10/100 MBP base-T

Power Management

- Supports Advanced Power Management

Solid State Disk

- Supports ATA CompactFlash™ disk (IDE interface)

Keyboard/Mouse connector

- 6-pin Mini-Din header connector for keyboard and PS/2 mouse

On-board Security

- CPU over temperature

Mechanic and Environmental Specifications

- standard mode power consumption
4.73 A @ 5 V with Celeron™ 466, 128 MB SO DIMM
- **Operating temperature:**
0 ~ 60° C (32 ~ 140° F)
- **Size:** 185 mm x 122 mm
- **Weight:** 0.26 kg

Ordering Information

□ PCA-6770F-00A1

Half-size SKT370 CPU card with VGA, LCD, Ethernet and SSD

Optional Accessories

□ MBPC-641

4-slot MicroBox IPC Chassis

□ IPC-6806/S

6-slot Wallmount IPC Chassis with
PCA-6106 Backplane

□ IPC-6006S

Half-size PC-bus Card Cage with 6-slot PCA-6106 Backplane

□ PCA-6115

15-slot ISA-bus Passive Backplane

□ PCA-6114

14-slot ISA-bus Passive Backplane

□ PCA-6108

8-slot ISA-bus Passive Backplane

□ PCA-6106

6-slot ISA-bus Passive Backplane

□ PCA-6104

4-slot ISA-bus Passive Backplane

□ 9689000042

IrDA adapter

□ 1700100170

USB cable