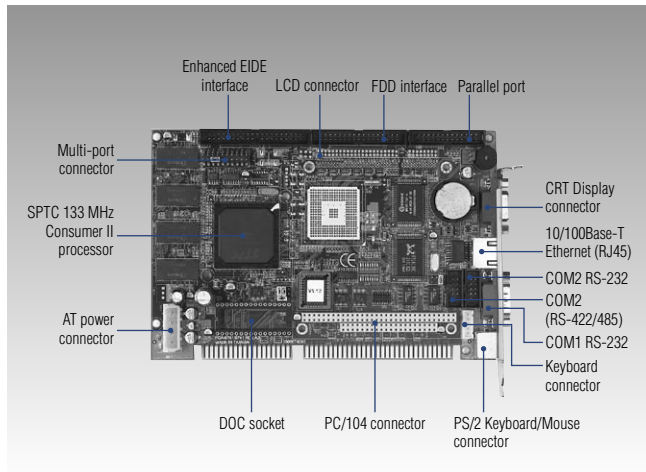


PCA-6741

ISA Consumer II Slot-PC SBC, 133 MHz
CPU/32 MB/VGA/LAN/DOC and PC/104



Features

- Low power fanless Consumer II
- Onboard 32 MB SDRAM
- 10/100Base-T Ethernet
- Supports DiskOnChip® 2000 SSD Solution
- Superior low power consumption, requires no CPU cooling fan



Specifications

General

- **CPU** Onboard low power STPC Consumer II 133 MHz
- **2nd Cache Memory** On processor
- **System Chipset** STPC Consumer II embedded
- **BIOS** AWARD 256 kbit Flash BIOS
- **System Memory** Onboard 32 MB SDRAM (optional SDRAM SODIMM x 1, Max. 64 MB)
- **Power Management** APM
- **SSD** DiskOnChip® 2000 (optional CompactFlash® card)
- **Watch Dog Timer** 1 ~ 62 Sec, System reset or IRQ11
- **Expansion Interface** 1 x 16-bit ISA slot, 1 x PC/104 connector
- **Battery** Lithium 3 V/196 mAh

I/O

- **I/O Interface** 1 x EIDE (PIO Mode 4), 1 x FDD, 1 x K/B, 1 x Mouse, PCA-6741F-OCA2: 1 x RS-232/422/485, 1 x RS-232; PCA-6741L-OCA2: 2 x RS-232; 1 x LPT
- **USB** N/A
- **Audio** N/A
- **IrDA** 115 kbps SIR, IrDA 1.0 compliant
- **GPIO** N/A
- **I/O Expansion** PC104, ISA

Ethernet

- **Chipset** RTL 8139C
- **Speed** 10/100Base-T
- **Interface** RJ-45
- **Standard** IEEE 802.3u

Display

- **Chipset** Consumer II embedded
- **Memory Size** Supports 1/2/4 MB frame buffer with system memory
- **Resolution** CRT mode: 1280 x 1024 @ 8 bpp, 1024 x 768 @ 8 bpp, 800 x 600 @ 8 bpp
- **LCD Interface** N/A
- **LVDS Interface** N/A
- **TV-Out** N/A
- **Dual Independent Display** N/A

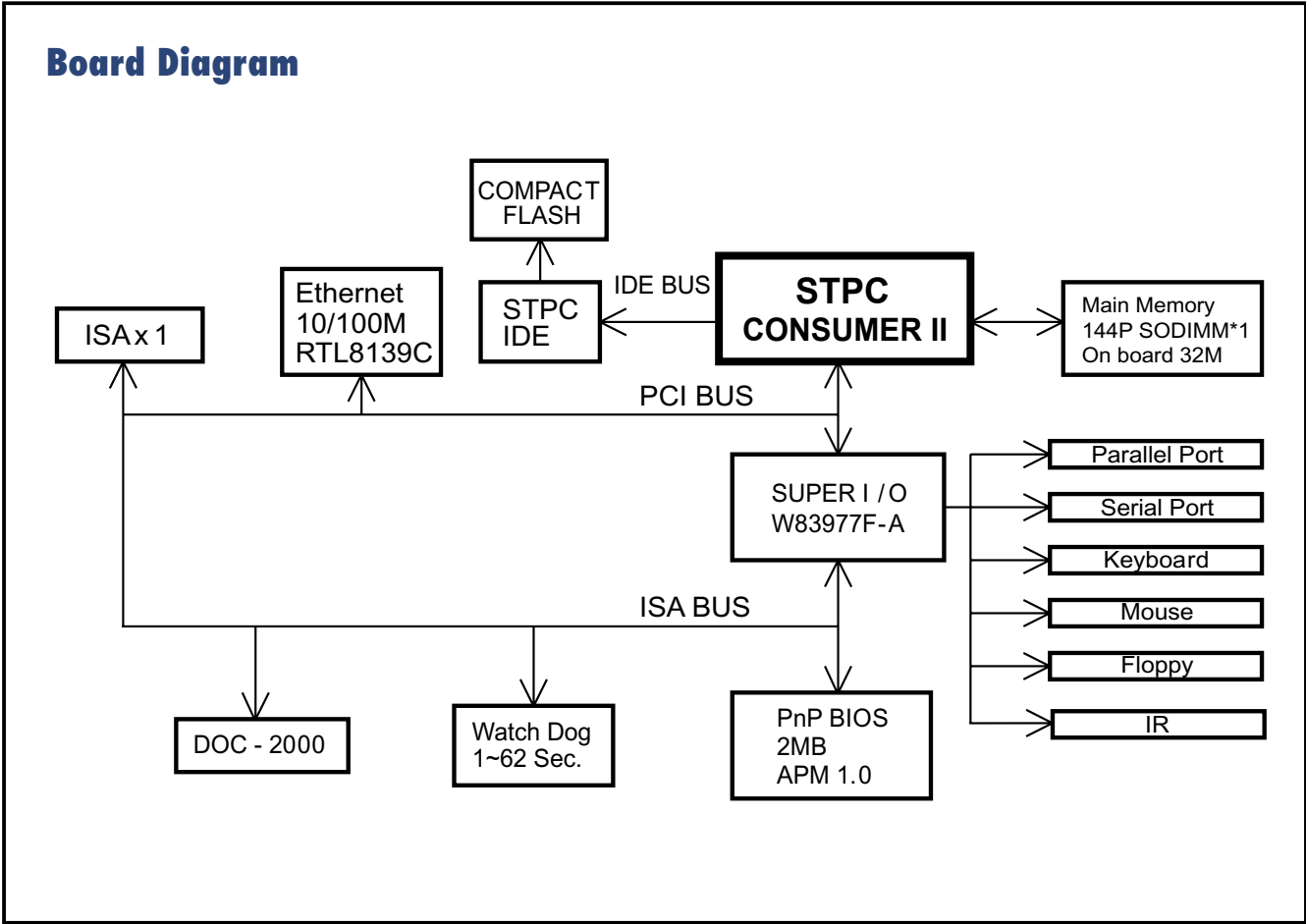
Mechanical and Environmental

- **Dimensions (L x W)** 185 x 122 mm (7.3" x 4.8")
- **Weight** 0.27 Kg (weight of total package)
- **Operating Temperature** 0 ~ 60° C (32 ~ 140° F), operation
- **Operating Humidity** 0% ~ 90% relative humidity, non-condensing

Power

- **Power Supply Voltage** +5 V ±5%
- **Power Consumption** Max: 5 V @ 1.50 A (Run Kpower in win98se, PCA-6741L-OCA2 without CF card)
5 V @ 1.38 A (Run HCT4.0 in winnt, PCA-6741L-OCA2 without CF card)
Typical: 5 V @ 1.31 A (PCA-6741L-OCA2 without CF card)

Board Diagram



Packing List

- 1 x PCA-6741 SBC
- 1 x Y cable for PS/2 Keyboard, PS/2 Mouse (p/n:170006020)
- 1 x E-IDE (HDD) Cable (600 mm) (p/n:1701400601)
- 1 x FDD Cable (290 mm) (p/n:1701340700)
- 1 x COM2 & Parallel port cable kit (p/n:1701260303)
- Mini Jumper (p/n:1653300100)
- 1 x Startup manual
- 1 x Utility CD

Ordering Information

- Standard**
- **PCA-6741F-OCA2** ISA Consumer II Slot SBC, 133/32MB/VGA/Fast Ethernet/DOC/PC104
 - **PCA-6741L-OCA2** ISA Consumer II Slot SBC, 133/32MB/VGA/DOC

- Optional Accessories**
- **MBPC-641** 4-slot IPC chassis w/backplane & 65 W power supply
 - **IPC-644-80** 4-slot IPC chassis w/backplane & 80 W power supply
 - **IPC-6806S** 6-slot IPC chassis w/backplane & 100 W power supply
 - **PCA-6114-B** 14-slot ISA passive backplane
 - **PCA-6108-0B1** 8-slot ISA passive backplane
 - **PCA-6106-B** 6-slot ISA passive backplane
 - **PCA-6104-0C1** 4-slot ISA passive backplane
 - **9689000042** IrDA adapter
 - **CF-HDD-ADP** CompactFlash 50-pin to IDE 44-pin adapter