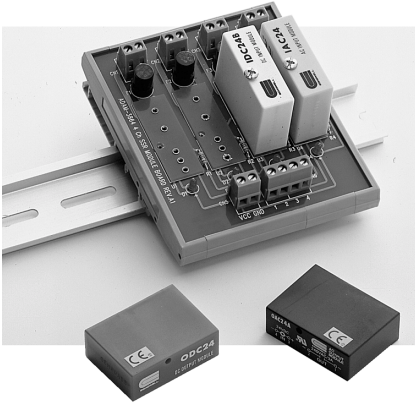


ADAM-3864

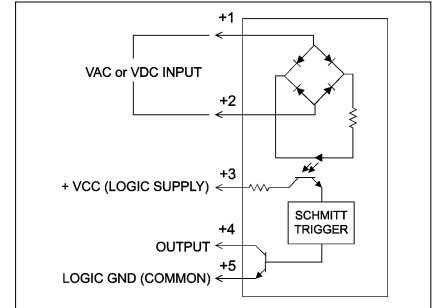
4-channel Solid State Digital I/O Module Carrier Backplane



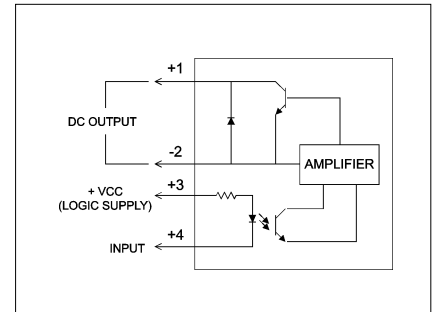
Features

- 4-channel carrier backplane for any combination of AC or DC I/O modules
- 2500 V_{RMS} optical isolation
- LED channel status indicator for easy monitoring
- On-board fuse protection
- DIN-rail mounting

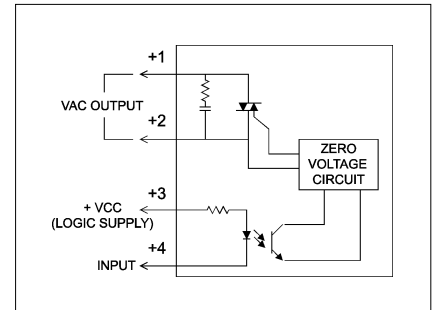
Block Diagrams



AC/DC Input (IAC24/IDC24)



DC Output (ODC24)



AC Output (OAC24)

Introduction

The ADAM-3864 is a solid state digital I/O module carrier backplane that accommodates any combination of up to four high-performance, low-cost photocoupler-isolated solid state digital I/O modules.

This backplane can accept either 24 V_{DC} or 5 V_{DC} I/O modules, depending on the type of power supply.

Specifications

Input Modules

Field side:

- Turn on/off time:
 - IAC24 series: 20 msec. max.
 - IAC24A series: 20 msec. max.
 - IDC24B series: 100 msec. max.
- Input on/off voltage range:
 - IAC24 series: 90 ~ 140 V / 45 V_{RMS}
 - IAC24A series: 180 ~ 280 V / 80 V_{RMS}
 - IDC24B series: 3 ~ 32 V / 1 V_{DC}

- Input resistance:
 - IAC24 series: 14 k Ω
 - IAC24A series: 44 k Ω
 - IDC24B series: 1.5 k Ω

Logic side:

- Supply voltage: 24 V
- Supply current: 12 mA max.
- Output current: 100 mA max.
- Output voltage drop: 0.4 V max.
- Breakdown voltage: 30 V_{DC}

Output Modules

Field side:

- Turn on/off time:
 - OAC series: ½ AC cycle max.
 - ODC series: 100 μsec./750 μsec. max.
- Current rating: 3 A max. (@ 25° C)
- Contact voltage drop: 1.6 V max.

Logic side:

- Supply voltage: 24 V
- Supply current: 12 mA max.
- Input resistance: 220 Ω
- Dimensions: 118.4 mm (L) x 90 mm (W) x 59 mm (H) (4.66" x 3.54" x 2.32")

Module type		Field side		Logic side
Output module		Output voltage rating	Output current rating	Output logic and SSR status
AC output	OAC24A	24 ~ 280 V _{AC}	3.0 A _{AC}	0 V (On)
DC output	ODC24	5 ~ 60 V _{DC}	3.0 A _{DC}	24 V (Off)
Input module		Input on voltage	Input off voltage	Input logic and On/Off status
AC input	IAC24	90 ~ 140 V _{AC}	< 45 V _{AC}	0 V (On)
	IAC24A	180 ~ 280 V _{AC}	< 80 V _{AC}	
DC input	IDC24B	3 ~ 32 V _{DC}	< 1 V _{DC}	24 V (Off)

Ordering Information

- ADAM-3864
4-channel Solid State Digital I/O Module Carrier Backplane